

**NEW**

# *Quick-release only in a few seconds!*

**Workability for barrel exchanging is greatly improved.**



- Material can be dispensed till the last with a high accuracy.
- The optional suspended hook, to avoid to be tired by long time operation, is available.
- For the situation that the material capacity requires 100ml or more.

**A quick, definite cartridge setting by one-touch locking mechanism.**



Insert the barrel into cartridge holder.



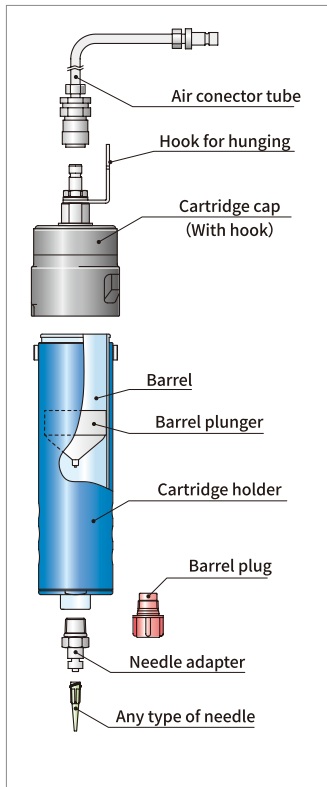
Set the cartridge cap into cartridge holder.



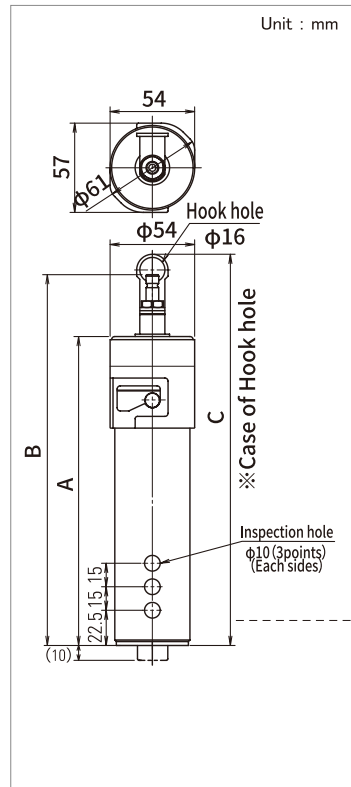
Ensure locking by twisting the cartridge cap.

# Cartridge

## Configuration diagram



## Dimension drawings



## Cartridge set

Item name	Item number	Weight	Quantity
100ml cartridge set	CS-100C	250g	1
170ml cartridge set	CS-170C	320g	1
340ml cartridge set	CS-340C	440g	1
100ml cartridge set (with hook)	CS-100C-HK	260g	1
170ml cartridge set (with hook)	CS-170C-HK	330g	1
340ml cartridge set (with hook)	CS-340C-HK	450g	1

## Cartridge set contents

Capacity	Item name	Item number	Material	Quantity
100ml	Cartridge cap	CC-P-001-1	—	Select either one
	Cartridge cap (with hook)	CC-P-001-2	—	Select either one
	Holder for 100ml cartridges	CH-100C	Aluminium	1
170ml	Cartridge cap	CC-P-001-1	—	Select either one
	Cartridge cap (with hook)	CC-P-001-2	—	Select either one
	Holder for 170ml cartridges	CH-170C	Aluminium	1
340ml	Cartridge cap	CC-P-001-1	—	Select either one
	Cartridge cap (with hook)	CC-P-001-2	—	Select either one
	Holder for 340ml cartridges	CH-340C	Aluminium	1

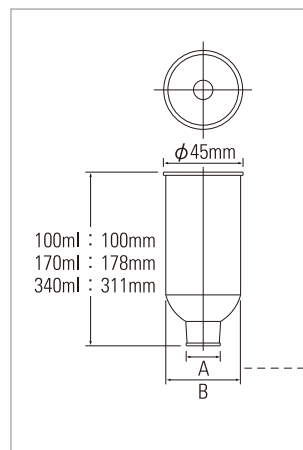
## Cartridge size

Item number	A	B	C
CS-100C	119 mm	157.5 mm	-
CS-100C-HK	119 mm	158.5 mm	171.5 mm
CS-170C	197 mm	235.5 mm	-
CS-170C-HK	197 mm	236.5 mm	249.5 mm
CS-340C	328 mm	366.5 mm	-
CS-340C-HK	328 mm	367.7 mm	380.5 mm

# Barrel parts



## Dimension drawings



## Barrel parts

Item number	Item number	Material	Quantity
100 ml (cc) barrel	PB-100B	Polyethylene	10
170 ml (cc) barrel	PB-170C	Polyethylene	10
340 ml (cc) barrel	PB-340B	Polyethylene	10
Barrel plunger	PP-W1	Polyethylene	10
	PP-B1	Polyethylene	10
Barrel cap	BC-4	Polyethylene	10
Barrel plug	BP-4	Polypropylene	10
Needle adapter (1/4 PT male)	NA-2V	Brass(Nickel plated)	1
	NA-2VT	Teflon coated	1

## Barrel size

ml	Item number	A	B
100 ml	PB-100B	$\phi 19.2\text{ mm}$	$\phi 42.8\text{ mm}$
170 ml	PB-170C	$\phi 19.4\text{ mm}$	$\phi 43\text{ mm}$
340 ml	PB-340B	$\phi 19.2\text{ mm}$	$\phi 42.8\text{ mm}$



<http://www.musashi-engineering.co.jp/english/>



**World Leading Dispenser**  
**MUSASHI ENGINEERING, INC.**

**HEAD OFFICE**  
8-7-4, Shimorenjaku, Mitaka, Tokyo, 181-0013, Japan TEL : (81)422-76-7111 / FAX : (81)422-76-7122

**BRANCH**  
TOKYO, OSAKA, NAGOYA, SENDAI, FUKUOKA, SAITAMA, NAGANO, EAST-KANTO, AKITA, KANAZAWA

**SINGAPORE** 114 Lavender Street, #08-88/89 CT Hub 2, Singapore 338729  
TEL : (65)6258-2422 / FAX : (65)6258-4844

**THAILAND** No.12 Soi Bangna-Trad 25, Bangna, Bangkok, 10260 Thailand  
TEL : (66)2-022-9015 / FAX : (66)2-769-5450

**INDONESIA** Jl. MH. Thamrin, Robson Square, Block A-15, Lippo Cikarang, Bekasi 17550, Jawa Barat, Indonesia  
TEL : (62)21-8990-5005 / FAX : (62)21-8990-5004

**GERMANY** Leopoldstrasse 244, 1.Stock 80807 Munich Germany  
TEL : (49)89-208039-470 / FAX : (49)89-208039-478

**KOREA** (902 No. 9 F. #C, Korea Bio Park.) 700, Daewangpangyo-ro, Bundang-gu, Seongnam-si, Gyeonggi-do 13488, Korea  
TEL : (82)31-702-3811 / FAX : (82)31-702-3881

**TAIWAN** 8F-2, No. 158, Sec. 2, Gongdao 5th Road, Hsinchu, Taiwan 30070  
TEL : (886)3-572-9200 / FAX : (886)3-572-9300

**CHINA**

**HONG KONG** Unit 1706, 17/F., Greenfield Tower,(South)Concordia Plaza, No.1 Science Museum Road, T.S.T.East, Kowloon, H.K.  
TEL : (852)2620-5799 / FAX : (852)2620-5771

**SHANGHAI** A-120 Room, No.525 Xian Feng Street (No.55 Jin Yu Road), Min Hang, Shanghai, China  
TEL : (86)21-6446-7881 / FAX : (86)21-6446-7882

**SHENZHEN** Room 702, West Tian'an Tech Plaza II, Tian'an Cyber Park, Futian District Shenzhen, China  
TEL : (86)755-8346-6822 / FAX : (86)755-8346-6866

**TIANJIN** Room 1206, Sino Ocean International Center, No. 40 Huachang Road, Hedong District, Tianjin  
TEL : (86)22-5856-2051

**SUZHOU** Room 1010, No.188 Wang Dun Road, GENWAY BUILDING, Suzhou City Industrial estate Distric, Jiangsu, CHINA  
TEL : (86)512-6878-4428 / FAX : (86)512-6878-4438