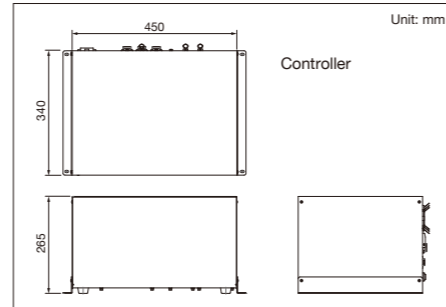
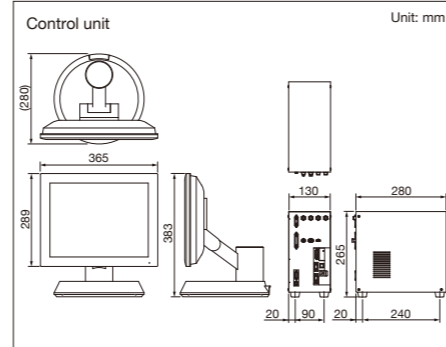
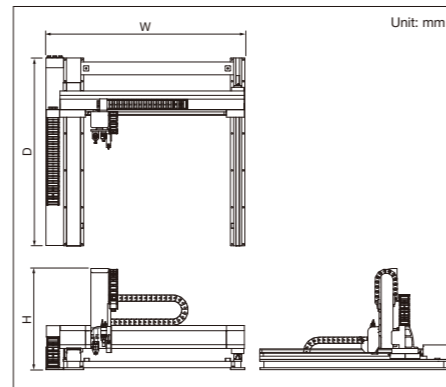


Specifications

Product name	350PC Smart XMΩX				
Model	350PCS-XM OMEGAX				
Number of controlled axes	3 axes				
Control method	PTP control/interpolation control				
Working area X*Y	300×300 mm	400×400 mm	500×600 mm	700×800 mm	
Working area Z	150 mm				
PTP operation speed setting range	X/Y	1 to 500 mm/s			
	Z	1 to 400 mm/s			
Interpolation operation speed setting range	X/Y	0.1 to 500 mm/s			
	Z	0.1 to 400 mm/s			
Repetitive positioning accuracy X/Y/Z	±0.005 mm				
Tool payload	8.7 kg				
Number of signal points	General-purpose input	19			
	General-purpose output	12			
Program capacity	300 recipes, 40,000 steps (999 channels)				
Program editing software	MuCAD™V				
Software display language	Japanese/English/Chinese/Korean				
Main functions	3D alignment, work height measurement, nozzle height detection, offset, nozzle gap correction, automatic focus, log				
Interpolation	3D line, 3D circular arc/circular, 3D elliptical arc/ellipse, spline				
Options	Teaching pendant set, external operation box, holder units, signal tower, dispenser connection cable				
Rated voltage and frequency	Single phase, AC200-240 V, 50/60 Hz				
Power consumption	420 W				
Conformity standards	CE-marking (Machinery Directive, EMC Directive), EU RoHS				
Main unit dimensions (excluding protrusions)	Width (W)	831mm	931mm	1031mm	1239mm
	Depth (D)	671mm	771mm	971mm	1171mm
	Height (H)	630mm			
Main unit weight	80kg	91kg	120kg	143kg	
Controller dimensions (excluding protrusions)	W450×D340×H265 mm				
Weight of dispense controller	18 kg				
350PCS control box dimensions (excluding protrusions)	W130×D280×H265 mm				
Weight of 350PCS control box	4.3 kg				

Outside drawings



Safety precaution
Make sure to read the instruction manual before you use the unit, for your safety.

* We reserve the right to change the specifications without notice.
* All copyrights are retained by MUSASHI ENGINEERING. Reprinting, reproducing, and/or transmitting as electronic data in whole or in part these material without prior written permission is strictly prohibited.

MUSASHI ENGINEERING, INC. is certified and registered according to ISO14001 ENVIRONMENTAL MANAGEMENT.



<http://www.musashi-engineering.co.jp/english/>

World Leading Dispenser
MUSASHI ENGINEERING, INC.

HEAD OFFICE
8-7-4, Shimorenjaku, Mitaka, Tokyo, 181-0013, Japan TEL : (81)422-76-7111 / FAX : (81)422-76-7122
BRANCH
TOKYO, OSAKA, NAGOYA, SENDAI, FUKUOKA, SAITAMA, NAGANO, EAST-KANTO, AKITA, KANAZAWA

SINGAPORE 114 Lavender Street, #08-88/89 CT Hub 2, Singapore 338729
TEL : (65)6258-2422 / FAX : (65)6258-4844
THAILAND No.12 Soi Bangna-Trad 25, Bangna, Bangkok 10260 Thailand
TEL : (66)2-022-9015 / FAX : (66)2-769-5450
INDONESIA Jl. MH. Thamrin, Robson Square, Block A-15, Lippo Cikarang, Bekasi 17550, Jawa Barat, Indonesia
TEL : (62)21-8990-5005 / FAX : (62)21-8990-5004
GERMANY Leopoldstrasse 244, 1.Stock 80807 Munich Germany
TEL : (49)89-208039-470 / FAX : (49)89-208039-478
KOREA (902 No. 9 F. #C, Korea Bio Park.) 700, Daewangpangyo-ro, Bundang-gu, Seongnam-si, Gyeonggi-do 13488, Korea
TEL : (82)31-702-3811 / FAX : (82)31-702-3881
TAIWAN 8F-2, No. 158, Sec. 2, Gongdao 5th Road, Hsinchu, Taiwan 30070
TEL : (886)3-572-9200 / FAX : (886)3-572-9300

CHINA
HONG KONG Unit 1706, 17/F., Greenfield Tower (South) Concordia Plaza, No.1 Science Museum Road, T.S.T.East, Kowloon, H.K.
TEL : (852)2620-5799 / FAX : (852)2620-5771
SHANGHAI A-120 Room, No.525 Xian Feng Street (No.55 Jin Yu Road), Min Hang, Shanghai, China
TEL : (86)21-6446-7881 / FAX : (86)21-6446-7882
SHENZHEN Room 702, West Tian'an Tech Plaza II, Tian'an Cyber Park, Futian District Shenzhen, China
TEL : (86)755-8346-6822 / FAX : (86)755-8346-6866
TIANJIN Room 1206, Sino Ocean International Center, No. 40 Huachang Road, Hedong District, Tianjin
TEL : (86)22-5856-2051
SUZHOU Room 1010, No.188 Wang Dun Road, GENWAY BUILDING, Suzhou City Industrial estate Distric, Jiangsu, CHINA
TEL : (86)512-6878-4428 / FAX : (86)512-6878-4438

CAT. No. 350PCSMARTXMΩX-04182-E-COPY



Cartesian robot with PC control image recognition
IMAGE MASTER™
350PC Smart XMΩX

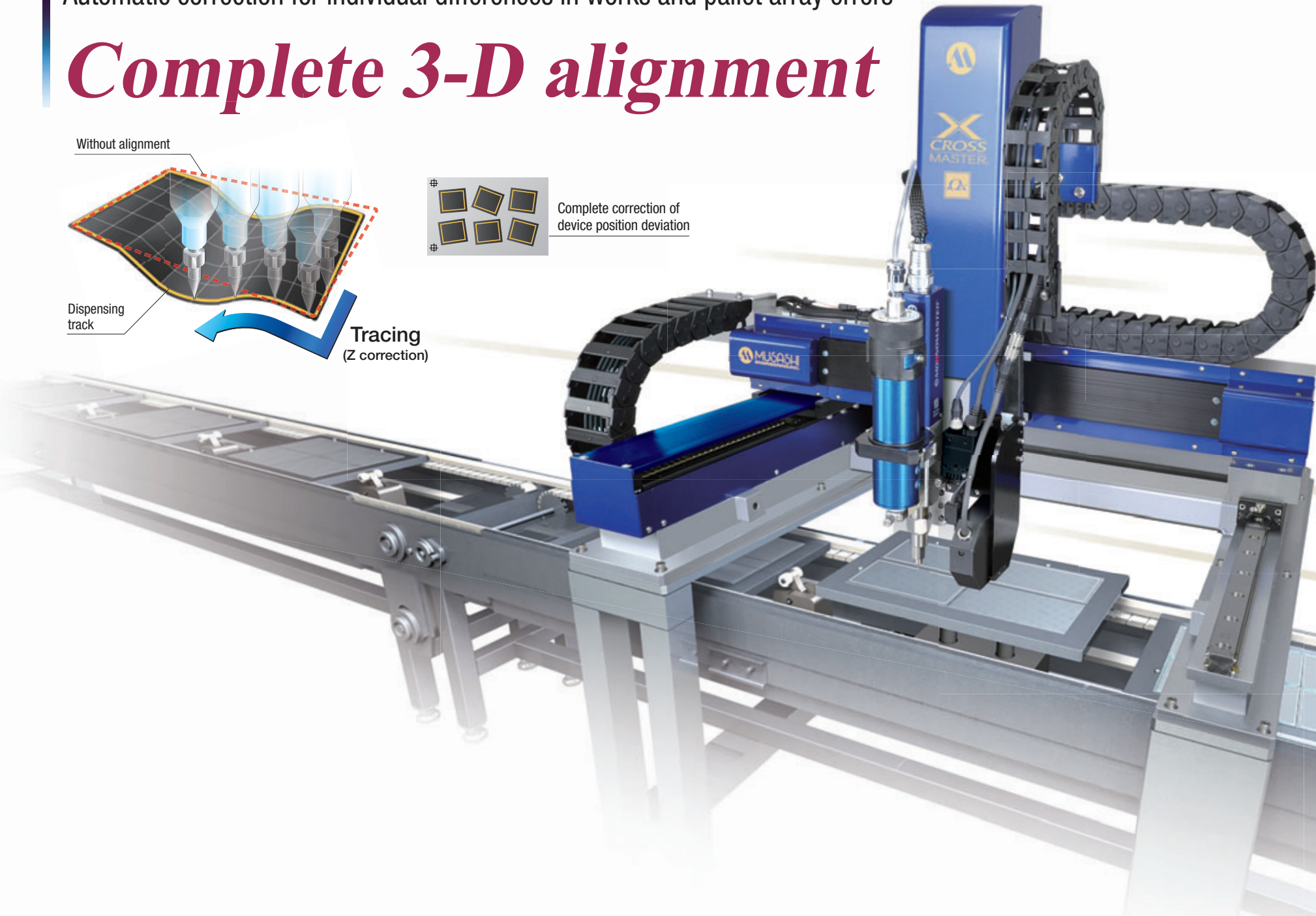
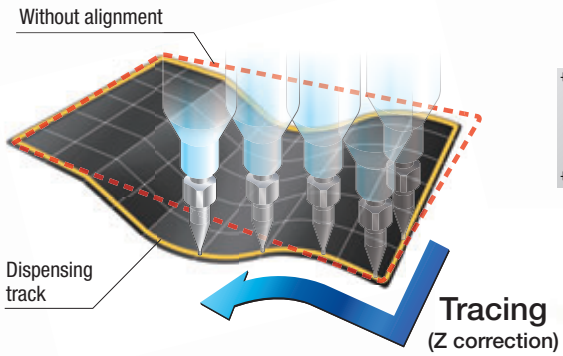


The fusion of dispensing "core" technologies
Inline 3D dispensing brings better quality!



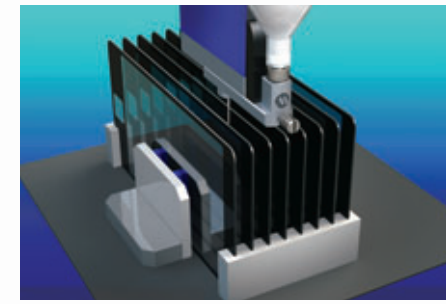
Automatic correction for individual differences in works and pallet array errors

Complete 3-D alignment

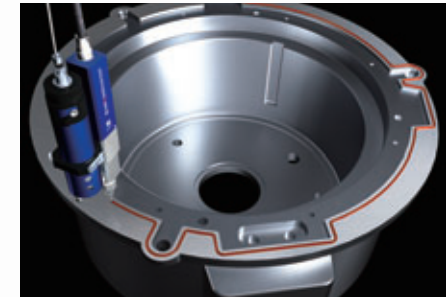


Program generation/dispensing/measurement/log management

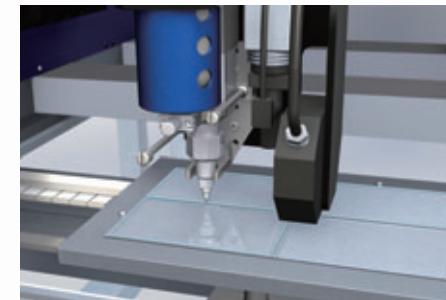
Applications



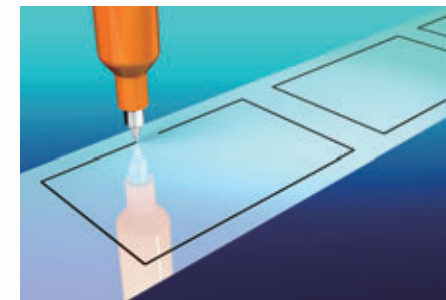
Dispensing on glass sides



Dispensing gaskets on motors



OCR dam dispensing



Dispensing adhesive on film

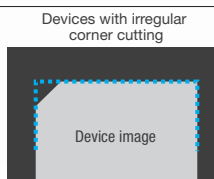


◆ Yield improvement thanks to high-quality dispensing

Class-leading ± 0.005 mm repetitive positioning accuracy

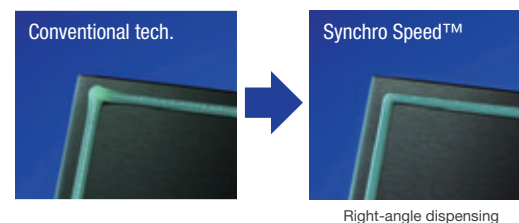
Support for various work shapes
Edge-detection function
NEW

Position of works can be adjusted using image processing in a broader range of conditions, including works that could not be detected previously.



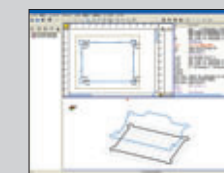
Coordination with dispenser
SynchroSpeed™ function
NEW

Achieve a constant drawing width that is independent of robot speed. High-quality dispensing is implemented without the need for complicated adjustments.



Dispensing pattern editing software MuCAD™

- Switch product types instantly.
- Displayable DXF and Gerber file
- Automatically generates array program
- Automatically generates chip patterns on a wafer
- Easily divides into paint and no-paint areas



Multi-skill support

Enhanced hardware components

- No misalignment by closed loop control
- Prevents the robot head from falling during emergency stops
- Full connectivity, with 19 input and 12 output signals **NEW**
- Fast communication with MuCAD™ **NEW**

Aiming for higher dispensing quality

Strengthened linkage with the dispenser

- Able to dispense any complex shapes
- Available to change the dispensing condition setting for each dispensing point
- Eliminates dif cult adjustment to help improve productivity

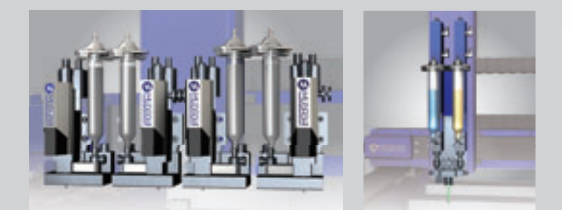
Improved operability

New teaching pendant

- Easy to transfer programs to multiple robots **NEW**



Allows mounting of multiple dispensing units



With CROSS MASTER™ QX specifications