

Underfilling Applications

- Jetting silver paste to lead frames
- Conformal coating for automotive PCB
- Jetting UV glue
- Adhesion/bonding of various electronic parts
- Dotting, lining, coating, and more

MAX speed
333
Shots/sec.



PAT.



High-speed and precision JET Greatly reduced yield cycle time

Pinpoint shooting

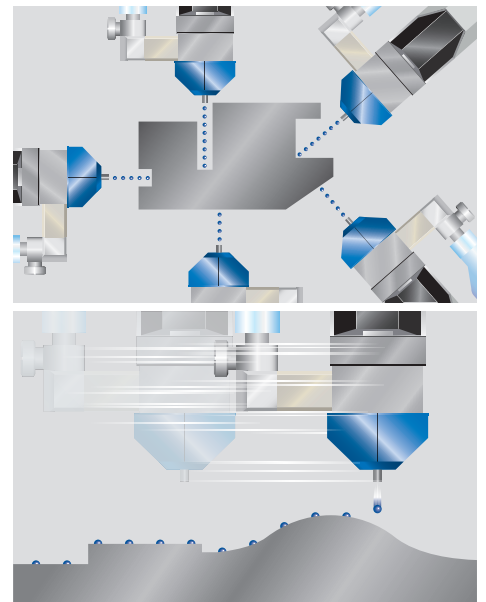
- Flexible dispensing from below, side, or oblique directions
- Effective for applications on uneven/narrow areas to which the normal nozzle is not accessible

High-speed processing

- Dispensing possible without being affected by curves or individual differences in workpieces
- No z-axis movement or gap control is necessary
- Ultra-high-speed processing for the high-precision stable dispensing of minute dots

Cost reduction

- Applied amount needed to the points required



Features

- Equipped with Synchro Speed
- Selectable liquid feeding unit; Tanks, cartridges and syringes
- Temperature controller mounted as standard

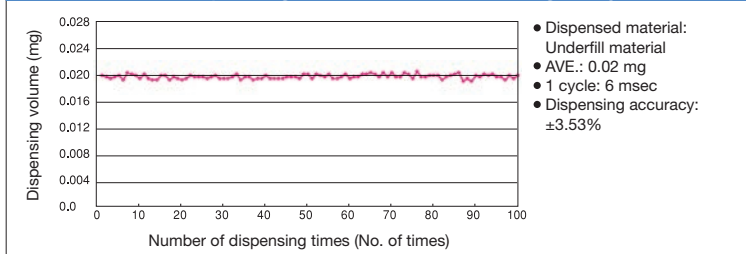
Specifications

Name	NON-CONTACT JET DISPENSER AEROJET
Model	MJET-A-2-4CTR-2
Controller unit's model	MJET-4-CTR-2
Dispensing method	Jet type
Control method	Microcomputer digital control system
Applicable liquid materials	Underfill material, silver paste, conformal coating material, UV-curing adhesive, epoxy resin, grease, flux, etc.
Applicable containers	Syringe (5 to 70 mL), tank
Temperature setting range	MAX:80 °C
Dispensing modes	Timed mode/Manual mode; LINE mode/DOT mode
Dispensing time setting range	0.002 - 9.99999 s
Shot count setting range	1 - 9999
Main functions	Missed shot detection, Synchro Speed, RS-232C communications, Japanese-English display switching
Number of channels	100 CH
External input signals	External dispensing, dispensing mode switching, channel switching
External output signals	Dispensing completion or in-dispensing, solenoid valve actuation, low pressure, mode status, power ON
Rated voltage and frequency	AC100 - 240 V 50/60 Hz
Power consumption	110 W
Applicable standards	CE marking (low voltage directive, EMC directive), EU RoHS2
Head unit dimensions	W91xD91xH180.5 mm*
Head unit weight	0.6 kg
Controller dimensions	W300xD250xH107 mm
Controller weight	4.0 kg

*PSY-50F is equipped.

Dispensing accuracy graph

Precision of the dispensing amount of the underfill agent by the AeroJet



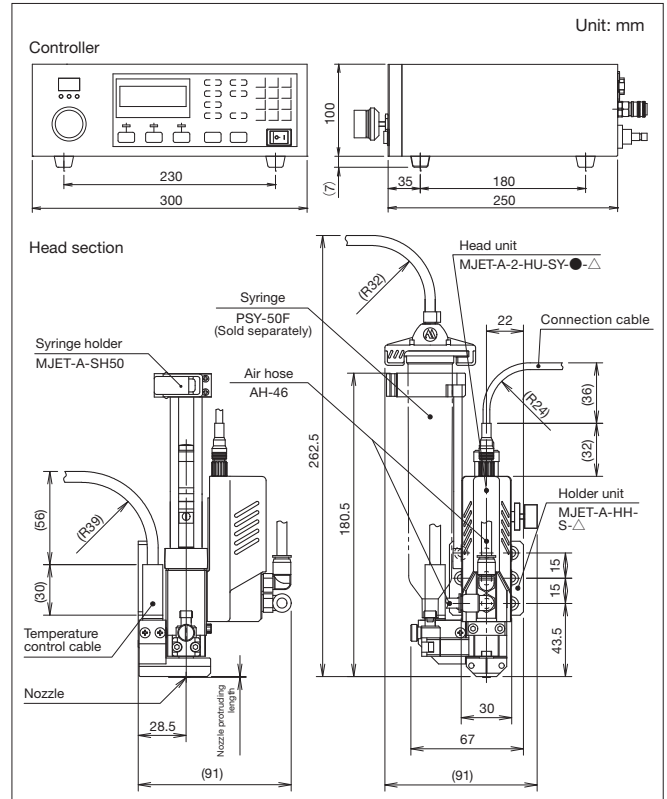
Safety precautions

Please read the instruction manual carefully before use to ensure correct and safe usage.

*These specifications are subject to change without any notice.

*The copyright of this catalog belongs to our company. Reproduction and distribution of the pictures, illustrations and any other information in this catalog to any other media without prior written permission are strictly prohibited; doing so will result in copyright infringement.

Outline and dimensions



Example: Equipped with DISPENSMASTER FAD5100



MUSASHI ENGINEERING, INC. (headquarters) is certified and registered according to the ISO 9001 Quality Management System and the ISO 14001 Environmental Management System.



World Leading Dispenser MUSASHI ENGINEERING, INC.

HEAD OFFICE

8-7-4, Shimorenjaku, Mitaka-shi, Tokyo, 181-0013, Japan TEL:(81)422-76-7111 / FAX:(81)422-76-7122

BRANCH

TOKYO, OSAKA, NAGOYA, SENDAI, FUKUOKA, SAITAMA, NAGANO, EAST-KANTO, AKITA, KANAZAWA

SINGAPORE	10 Ubi Crescent #05-24 Ubi Techpark Lobby B Singapore 408564 TEL:(65)6258-2422 / FAX:(65)6258-4844
THAILAND	No.36 Soi Bangna-Trad25, Bangnanuea, Bangna, Bangkok 10260 Thailand TEL:(66)2-022-9015 / FAX:(66)2-769-5450
INDONESIA	Jl. MH. Thamrin, Robson Square, Block A-15, Lippo Cikarang, Bekasi 17550, Jawa Barat, Indonesia TEL:(62)21-8990-5005 / FAX:(62)21-8990-5004
GERMANY	Marcel-Breuer-Str. 15, D-80807 Munich, Germany TEL:(49)89-321996-06 / FAX:(49)89-321996-07
KOREA	(902 No. 9 F. #C, Korea Bio Park.) 700, Daewangpangyo-ro, Bundang-gu, Seongnam-si, Gyeonggi-do 13488, Korea TEL:(82)31-702-3811 / FAX:(82)31-702-3881
TAIWAN	8F-2, No. 158, Sec. 2, Gongdao 5th Road, Hsinchu, Taiwan 30070 TEL:(886)3-572-9200 / FAX:(886)3-572-9300

CHINA

HONG KONG	Unit 1706, 17/F., Greenfield Tower, (South) Concordia Plaza, No.1 Science Museum Road, T.S.T.East, Kowloon, H.K. TEL:(852)2620-5799 / FAX:(852)2620-5771
SHANGHAI	Room 102, Building 4, No.1999 Shenkun Road, Minhang District, Shanghai, China TEL:(86)21-6446-7881 / FAX:(86)21-6446-7882
SHENZHEN	1st floor 102, building 3 of Winlead, Fada road, Bantian Street, Longgang District, Shenzhen TEL:(86)755-8346-6822
TIANJIN	Room 1601, Sino Ocean International Center, No. 40 Huachang Road, Hedong District, Tianjin TEL:(86)22-5856-2051
SUZHOU	Room 1010, No.188 Wang Dun Road, GENWAY BUILDING, Suzhou City Industrial estate Distric, Jiangsu, CHINA TEL:(86)512-6878-4428 / FAX:(86)512-6878-4438

